

COMPACTION ROLLERS (TANDEM RIDE-ON)


TV800 **TV1000** **TV1300**
TV800H **TV1200** **TV1400**
TV900 **TV1200H**

Specification

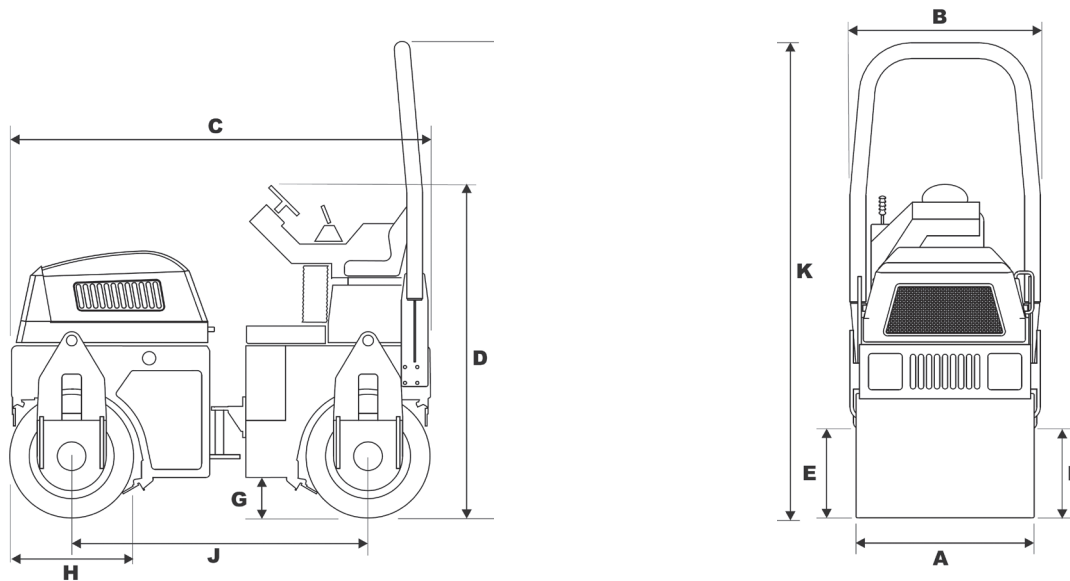
Operating Weight	1559 – 4390 kg
Gross Engine Power	16.5 – 32.4 kW (22.1 – 43.4 hp)
Drum Width	800 to 1400mm
Static Linear Load	8.7 to 15.68 kg/cm
Centrifugal Force	10/12.5 to 45/61 kN

Features

- Powerful and reliable water cooled Kubota engines.
- Superb service access and easy to service components.
- High quality heavy duty design - “rental tough”.
- Heavy duty vibration system with high centrifugal force, frequency and static linear load reduces the number of passes required.
- Unique side control arm for increased operator leg room and comfort.
- Unique 6 in 1 control lever for simple and easy operation of all functions.
- Twin drum vibration or rear drum vibration only can be selected via a simple lever.
- Lockable instrument panel, water tank filler flap and bonnet to reduce theft and vandalism.

TV800 **TV1000** **TV1300**
TV800H **TV1200** **TV1400**
TV900 **TV1200H**

Dimensions



Dimensions (mm)

	TV800	TV800H	TV900	TV1000	TV1200	TV1200H	TV1300	TV1400
A - Drum Width (mm)	800	800	900	1000	1200	1200	1300	1400
B - Overall Width (mm)	870	870	970	1070	1270	1270	1370	1470
C - Overall Length (mm)	1860	1860	1860	2375	2375	2375	2375	2375
D - Height to Top of Steering Wheel (mm - Transport Height)	1530	1530	1530	1940	1940	1940	1940	1945
E - Curb Clearance - Right (mm)	420	420	420	555	555	555	555	555
F - Curb Clearance - Left (mm)	390	390	390	490	490	490	490	490
G - Ground Clearance (mm)	200	200	200	230	230	230	230	230
H - Drum Diameter (mm)	550	550	550	700	700	700	700	706
J - Wheelbase (mm)	1260	1260	1260	1675	1675	1675	1675	1675
K - Height to Top of ROPS frame (mm)	2400	2400	2400	2650	2650	2650	2650	2655
Overhang - Left / Right (mm)	35 / 35	35 / 35	35 / 35	35 / 35	35 / 35	35 / 35	35 / 35	35 / 35

Steering

	TV800	TV800H	TV900	TV1000	TV1200	TV1200H	TV1300	TV1400
Steering Type	Centrepoint Articulation - Double acting (via single hydraulic ram)							
Inside Turn Radius (mm)	1950	1950	1900	2625	2525	2525	2475	2425
Outside Turn Radius (mm)	2820	2820	2870	3695	3795	3795	3845	3895
Frame Articulation (degrees)	30	30	30	30	30	30	30	30
Frame Oscillation (degrees)	8	8	8	15	15	15	15	15

Capacities

	TV800	TV800H	TV900	TV1000	TV1200	TV1200H	TV1300	TV1400
Hydraulic Tank Capacity (litres)	28	28	28	44	44	44	44	44
Fuel Tank Capacity (litres)	18	18	18	44	44	44	44	44
Water Tank Capacity (litres)	86	86	86	180	180	200	200	200

Standard Equipment & Options

Standard Equipment	
Fixed ROPS frame	Integral lifting points
Amber Beacon	Fuel and hydraulic oil tanks level gauges (TV1000 to TV1400)
Road Lights - UK Road Traffic Act compliant (TV1300 and TV1400 only)	Vandal Protection Package - Lockable instrument cover to deter vandals / thieves
Site Lights	Centralised greasing points for easy servicing
Gravity Fed Water System (TV800 to TV1200H only)	Vibration insulated operator's station
Pressurised Water System (TV1300 and TV1400 only)	Deluxe operator's seat with lap belt and traction cut-out switch - automatic stop if operator stands up during operation
Drum Scraper Bars Front and Rear (both drums)	
Articulation Lock Bar	Sliding operator seat (TV1200H to TV1400)
Removable plastic water and oil tanks for easy servicing	Fault finding lights on instrument panel
Low maintenance battery	Steering Knob
Single piece tilting engine hood	6 in 1 control lever
Emergency Release Free Wheel Valve (for Towing)	Hour meter
Optional Equipment	
Folding ROPS frame	Audible Reversing Alarm
Road Lights - UK Road Traffic Act compliant (TV800 to TV1200H)	Sun Canopy (TV1000 to TV1400 only)
Pressurised Water Spray (TV800 to TV1200H)	Hydraulic Breaker attachment, tool, valve and hosing - 30 l/min (TV800 to TV900)

Dealer

Effective Date: 01 January 2008. Product specifications and prices are subject to change without notice or obligation. The photographs and/or drawings in this document are for illustrative purposes only. Refer to the appropriate Operator's Manual for instructions on the proper use of this equipment. Failure to follow the appropriate Operator's Manual when using our equipment or to otherwise act irresponsibly may result in serious injury or death. The only warranty applicable to our equipment is the standard written warranty applicable to the particular product and sale and Terex makes no other warranty, express or implied. Products and services listed may be trademarks, service marks or trade-names of Terex Corporation and/or its subsidiaries in the USA and other countries. All rights are reserved. Terex® is a registered trademark of Terex Corporation in the USA and many other countries. © 2009 Terex Corporation. ♻️ Printed on material using 55% recycled fibre from both pre and post-consumer sources, together with 45% virgin ECF fibre from sustainable forests. TEREX523UK

TEREX Construction
 Central Boulevard, ProLogis Park, Coventry, England CV6 4BX
 Tel +44 (0) 2476 339400 Fax +44 (0) 2476 339500
 Email enquiries@terexce.com www.terex.co.uk

