



D 100 AHA
D 120 AHA
D 150 AHA

D 100 AHG
D 120 AHG
D 150 AHG



AUSA Center, S.L.U.
 Ctra. de Vic Km 2.8
 08243 Manresa - Barcelona
 Tel.: +34 93 874 73 11

Pol. Ind. Coslada - Marconi 15-17
 28823 Coslada - MADRID
 Tel.: +34 91 669 00 06

ausa@ausa.com · www.ausa.com

AUSA France Z.I. Saint Charles - Rue de Zürich, 66000 PERPIGNAN - Tel.: +33 (0) 4 68 54 38 97 - E-mail: ausa.france@ausa.com

AUSA Deutschland Tel.: +49 (0) 2384 9889905 - E-mail: ausa.deutschland@ausa.com

AUSA UK Tel.: +44 (0) 7970639988 - E-mail: ausa.uk@ausa.com

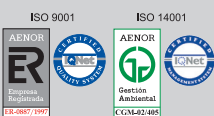
AUSA Brasil Avenida Belizario Ramos 2276 - Lages - SC, 88506-000 - Tel.: +55 11 9 8786 6014 - E-mail: ausa.brasil@ausa.com

AUSAMéxico Calzada Vallejo 725 Del. Gustavo A. Madero - 07750 México D.F. - Tel.: +52 (55) 2166 9276 - E-mail: ausa.mexico@ausa.com

AUSA U.S. CORP. Tel.: +1 (917) 328 0770 - E-mail: ausa.us@ausa.com

AUSA Beijing Rep. Office Room 403, Moma Building, N.199 - Chaoyang bei road, Chaoyang District - 100026 BEIJING

Tel.: +86 10 8598 7386 - E-mail: ausa.china@ausa.com

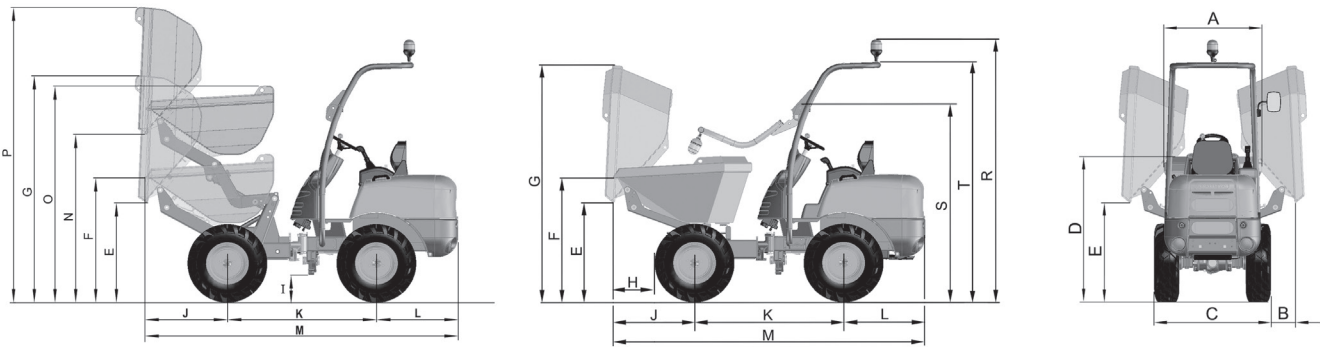


D 100 AHA_1000 Kg
D 100 AHA
COMPACT_1000 Kg
D 120 AHA_1200 Kg
D 150 AHA_1500 Kg
D 100 AHG_1000 Kg
D 120 AHG_1200 Kg
D 150 AHG_1500 Kg

DIMENSIONS (mm)	D 100 AHA / COMPACT	D 120 AHA	D 150 AHA	D 100 AHG	D 120 AHG	D 150 AHG
A	990	1190	1400	990	1190	1391
B	-	-	-	293	245	100
C	1100 / 990	1200	1450	1100	1200	1450
D	1440	1485	1485	1436	1470	1500
E	935	980	980	983	1020	1030
F	1230	1275	1275	1227	1275	1275
G	2235	2280	2280	2367	2430	2525
H	485	440	440	457	435	435
I	220	265	265	231	265	275
J	822	822	822	804	804	820
K	1500	1500	1500	1500	1500	1600
L	820	820	820	820	820	820
M	3142	3142	3140	3124	3124	3240
N	1635	1680	1680	-	-	-
O	2135	2180	2180	-	-	-
P	2935	2980	2980	-	-	-
R	2605	2650	2650	2636	2650	2600
S	1955	2000	2000	1971	2000	2015
T	2375	2420	2450	2400	2420	2450



www.ausa.com



TECHNICAL SPECIFICATIONS

	D 100 AHA / D100 AHA COMPACT / D 120 AHA / D 150 AHA	D 100 AHG / D 120 AHG / D 150 AHG
Load capacity (Kg)	1000 / 1200 / 1500	
Unloading system	Hydraulic tipping	Hydraulic, 180° rotating
Chassis	Articulated +/- 35° and oscillating +/- 13°	
Hopper capacities (l)	Water Levelled Heaped	345 / 425 / 605 395 / 515 / 681 505 / 680 / 852
Engine	Diesel Power acc./SAE J 1995 (KW/CV) N° of Cylinders Cooling system	Kubota D1105 16,8 KW / 22,8 CV (2700 rpm) 3 Water
Traction	4 x 4 permanent	
Transmission	Hydrostatic with variable flow pump automatic regulation. Forward and reverse control on the joystick.	
Engine starting system	Electric	
Speed (max.) (Km/h)	15 / 17 / 14	
Axles	Axles with planetary wheel reduction	
Unladen weight (Kg)	1300 / 1375 / 1510	1270 / 1375 / 1510
Gradeability	38% / 48% / 40%	
Hydraulic circuit	Gear pump of 8 cc. Working pressure 170 bar. / 170 bar. / 210 bar.	
Tyres	Standard Optional	27 x 8.50 - 15" / 10.0/75-15.3" / 10.0/75-15.3" 6,5/80-12 (D 100 AHA Compact)
External turning radius (mm)	3060	
Steering	Hydraulic	
Tank capacity (l)	Fuel Hydraulic fluid	23 21.2
Service and parking brake	Sealed oil-immersed, multidisc, mechanically operated	
STANDARD EQUIPMENT	Anti vandal system Ergonomic with safety belt Joystick ROPS Rotating beacon Rear view mirror Audible reverse warning (Std. UK)	
OPTIONAL EQUIPMENT	Homologated lighting system Heavy duty metal engine canopy Driver protective roof FOPS Towing hitch (ball & pin) Electric take-off for towing Water-tight case for operation and maintenance manuals. Gelaming safety stickers on rear body	