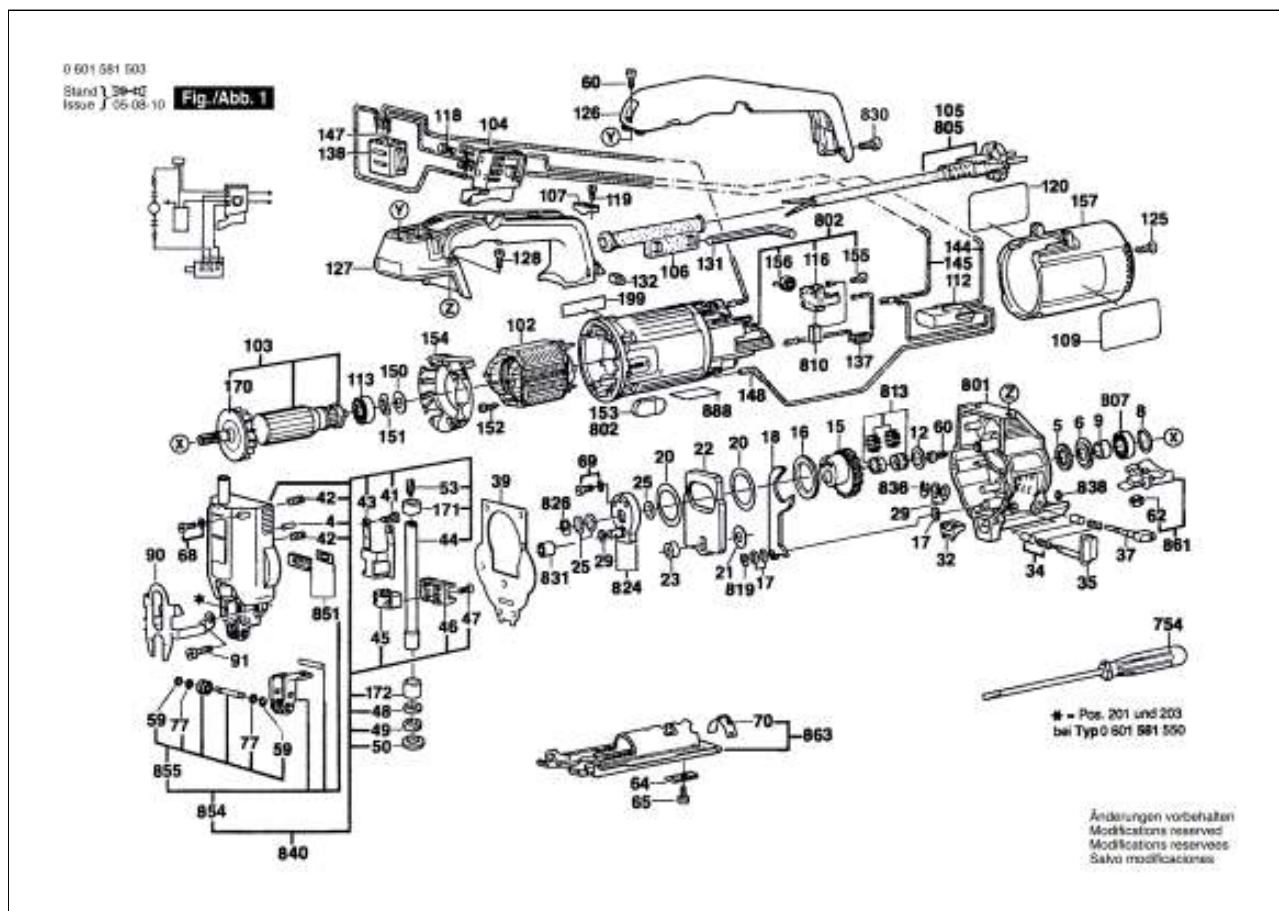


# PENDULUM JIGNAW

## 0 601 581 562 GST 60 PBE



Item	Quantity	Order No.	Designation	Price group	Page
4	2	1 903 201 042	NEEDLE ROLLER / DIN 5402-A3x11,8-G2	0	1
5	1	2 600 108 077	FELT WASHER	0	1
6	1	2 600 500 002	CUPPED WASHER	0	1
8	1	2 916 660 008	SPRING RETAINING RING / DIN 472-24x1,2 MM	0	1
9	1	2 600 400 008	RECEPTACLE	0	1
12	1	2 600 101 616	SHIM / 0,5 MM	0	1
15	1	2 606 320 048	ECCENTRIC COG WHEEL / Z=37	0	1
16	1	2 600 102 653	SHIM / 1,0 MM	0	1
17	2	2 600 100 515	SHIM / 0,3 MM	0	1
	1	2 600 100 516	SHIM / 0,5 MM	0	1
18	1	2 601 923 004	FORK LEVER	0	1
20	2	2 600 102 652	SHIM / 0,5 MM	0	1
21	1	2 600 100 625	SHIM / 0,1 MM	0	1
	1	2 600 100 626	SHIM / 0,2 MM	0	1
	1	2 600 100 627	SHIM / 0,3 MM	0	1
	1	2 600 100 628	SHIM / 0,5 MM	0	1
22	1	2 601 098 003	COUNTERWEIGHT	0	1
23	1	2 600 309 009	SPACER SLEEVE	0	1
25	1	2 600 100 575	SHIM / 0,2 MM	0	1
	1	2 600 100 576	SHIM / 0,3 MM	0	1
	1	2 600 100 577	SHIM / 0,5 MM	0	1
	2	2 600 100 568	SHIM / 0,5 MM	0	1

29	1	2 600 100 569	SHIM / 1,0 MM	0	1
	1	2 600 100 607	SHIM / 0,3 MM	0	1
32	1	2 602 305 042	AIR ELIMINATOR	0	1
34	2	2 600 590 006	RATCHET CAP	0	1
35	1	2 602 026 036	ROTARY KNOB / BLACK	0	1
37	1	2 602 026 037	ROTARY KNOB / BLACK	0	1
39	1	2 601 015 050	SEAL	0	1
41	2	2 603 410 048	THREAD-FORMING TAP. SCREW / M 4x8	0	1
42	2	2 604 613 000	COMPRESSION SPRING	0	1
43	1	2 601 322 010	GUIDE BRACKET	0	1
44	1	2 600 780 012	LIFTING ROD	0	1
45	1	2 602 329 011	CLAMPING SADDLE	0	1
46	1	2 602 317 053	SLIDING PIECE	0	1
47	2	2 603 421 040	COUNTERSUNK-HEAD SCREW / DIN 7962-M3,5x8-10.9	0	1
48	1	2 600 112 031	SUPPORTING DISC / 0,5 MM	0	1
49	1	2 600 290 017	SEAL RING	0	1
50	1	2 600 101 612	SHIM / 0,5 MM	0	1
53	1	2 603 400 000	CLAMP SCREW	0	1
59	1	2 916 080 005	LOCKING WASHER / DIN 6799-2,3	0	1
60	5	2 603 490 024	TORX OVAL-HEAD SCREW	0	1
62	2	2 915 011 007	HEXAGON NUT / DIN 934-M6-8-A	0	1
64	1	2 601 030 019	PROFILE BEADING	0	1
65	1	2 910 141 197	HEX-SOCKET-HEAD CAP SCREW / DIN 912-M6x16-8.8	0	1
69	2	2 914 551 176	MICROENCAPSULATED SCREW / DIN 7985-M4x12MM	0	1
70	1	2 601 328 044	SCALE PLATE	0	1
77	2	2 600 100 032	SHIM / 0,2 MM	0	1
90	1	2 601 322 021	SAFETY DEVICE	0	1
91	2	2 910 011 128	SOCKET HEAD SCREW / DIN 84-AM4x18-5.8	0	1
102	1	2 604 220 721	FIELD / 110-120V	0	1
103	1	2 604 010 577	ARMATURE / 110-115V	0	1
104	1	2 607 200 260	ON-OFF SWITCH	0	1
105	1	2 604 460 205	POWER SUPPLY CORD / GB 110V 2,65m 2 x 1,0mm H05VV-F	0	1
106	1	2 600 703 027	GROMMET / Ø 7 MM	0	1
107	1	2 601 035 001	CABLE CLIP	0	1
109	1	2 601 116 647	MANUFACTURER'S NAMEPLATE	0	1
112	1	2 607 329 105	SUPPRESSION CAPACITOR	0	1
113	1	1 900 905 018	DEEP-GROOVE BALL BEARING / DIN 625-627-2Z	0	1
116	2	2 601 323 022	BRUSH HOLDER	0	1
118	2	2 603 410 001	SOCKET HEAD SCREW / M3x6,5-4.8	0	1
119	2	2 603 490 022	TORX OVAL-HEAD SCREW / M 4x16	0	1
120	1	2 601 117 544	REFERENCE PLATE	0	1
125	1	2 910 601 321	TAP.SCREW W.SUNK CT. HEAD / DIN 7982-ST3,9x22C-H	0	1
126	1	2 602 025 040	STRAP-SHAPED HANDLE	0	1
127	1	2 602 025 041	STRAP-SHAPED HANDLE	0	1
128	2	2 603 410 054	THREAD-FORMING TAP. SCREW / M 5x16	0	1
131	1	1 907 950 006	OFFSET SCREWDRIVER / DIN 911-SW5	0	1
132	2	2 603 320 001	SQUARE NUT / M4	0	1
137	2	2 604 465 049	SUPPRESSOR BOX	0	1
138	1	2 607 230 010	GOVERNOR / 230-240V	0	1
144	1	2 604 448 012	CONNECTING CABLE / L = 278 MM / BLUE	0	1
145	1	2 604 448 062	CONNECTING CABLE / L = 288 MM / WHITE	0	1
147	2	2 604 448 018	CONNECTING CABLE / L = 124 MM / WHITE	0	1
148	1	2 600 409 017	INSULATION TUBING	0	1
150	1	2 600 101 027	SHIM RING / 0,3 MM	0	1
	1	2 600 101 022	SHIM / 0,2 MM	0	1
	1	2 600 101 020	SHIM / 0,5 MM	0	1
151	1	2 600 150 004	SHIM	0	1
152	2	2 603 435 086	SELF-TAPPING SCREW	0	1
153	1	2 603 231 032	PLUG / BLUE	0	1

154	1	2 601 328 045	COVER DISC	0	1
155	4	2 603 490 017	TORX OVAL-HEAD SCREW	0	1
157	1	2 600 508 038	HOUSING COVER / BLUE	0	1
166	2	2 604 652 009	SPIRAL SPRING	0	1
170	1	2 606 610 049	FAN	0	1
171	1	2 600 301 046	SINTERED-METAL BUSHING	0	1
172	1	2 600 301 045	SINTERED-METAL BUSHING	0	1
754	1	1 609 200 265	SCREWDRIVER / GR.2	0	1
801	1	2 605 808 915	GEAR HOUSING	0	1
802	1	2 605 108 904	MOTOR HOUSING / BLUE	0	1
807	1	2 600 905 039	DEEP-GROOVE BALL BEARING / 9 MM	0	1
810	1	2 604 320 910	CARBON-BRUSH SET	0	1
813	1	2 607 001 130	NEEDLE-ROLLER CAGE	0	1
819	1	2 916 080 007	LOCKING WASHER / DIN 6799-4-FSt	0	1
824	1	2 601 072 901	ECCENTRIC DISC	0	1
830	2	2 914 501 021	SCREW AND WASHER ASSEMBLY / M 4x20 MM	0	1
831	1	2 600 917 900	NEEDLE SLEEVE	0	1
836	1	2 916 080 008	LOCKING WASHER / DIN 6799-5-FSt	0	1
838	1	2 600 116 009	SPRING RETAINING RING	0	1
840	1	2 605 808 919	GEAR COVER	0	1
851	1	2 601 015 901	SEALING PLATE	0	1
854	1	2 601 321 902	ROLLER LEVER	0	1
855	1	2 600 326 903	ROLLER SET	0	1
861	1	2 605 500 900	FAN COVER	0	1
863	1	2 601 016 903	BASE PLATE	0	1
888	1	1 601 106 999	NAMEPLATE / 26x52 MM	0	1